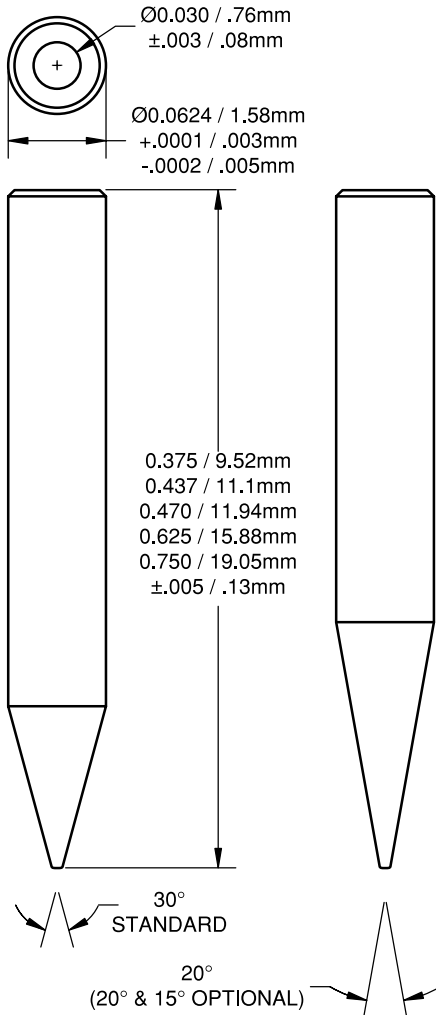
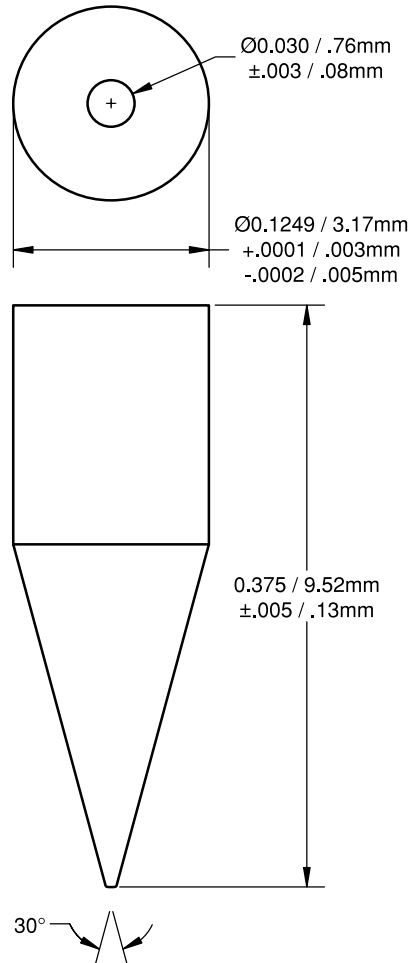


Ceramic Capillaries
1/16 inch Diameter



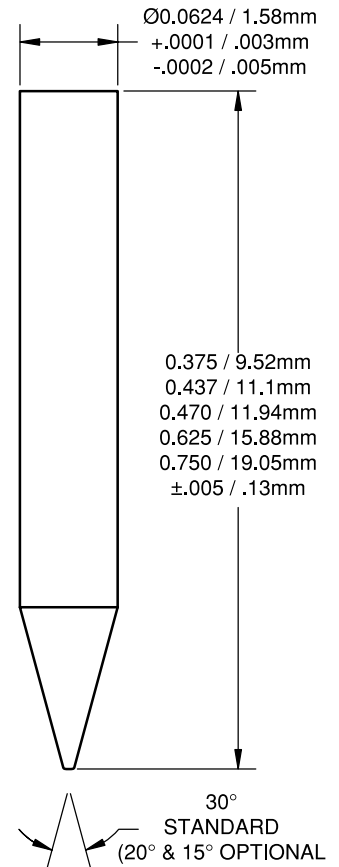
15° cone angle capillaries are available in 0.437 length and longer only - for 0.375 length tools, specify a 15° angle bottleneck

Ceramic Capillaries
1/8 inch Diameter



1/8 inch diameter capillaries are available at 0.375 length only

Tungsten Carbide
Capillaries
1/16 inch Diameter



Tungsten Carbide capillaries longer than 0.828 may require two-piece construction and a special quotation

Non-standard lengths and tighter tolerances available at additional cost. Non-standards lengths may alter the back hole size. Some series are standard with tighter tolerances.

Dimensions in inches unless otherwise specified