

**Features:**

Flat face, small geometry, vertical back grind for tight access small pad bonding applications.

**Specify:**

Series/Wire Feed Angle - Hole Size/Bond Length - Length - Options

**Example:**

2M30-2020-S

2M38-1510-3/4-TiC

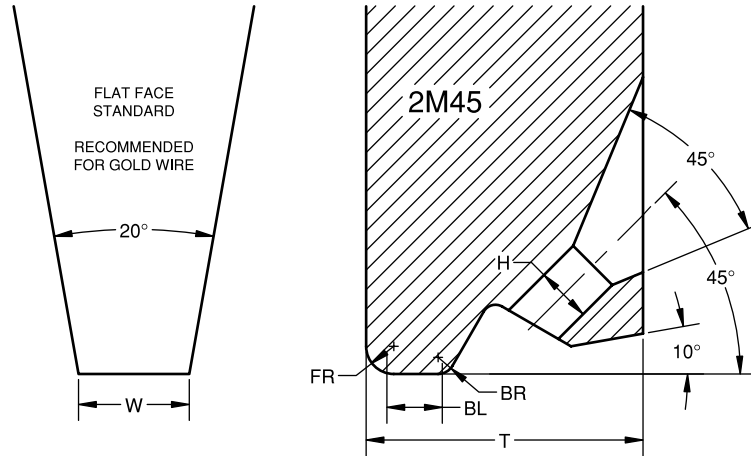
**Material:**

Tungsten Carbide Standard  
 Titanium Carbide Optional  
 (Specify "-TiC" in part no.)  
 Cermet Tip Optional  
 (Specify "-BKCR" in part no.)

DASH NUMBER	H in./µm ±.0002/5	BL in./µm ±.0002/5	W in./µm ±.0002/5	FR in./µm ±.0002/5	BR in./µm ±.0002/5	T 30° & 38° in./µm ±.0005/13	SUGGESTED WIRE DIAMETER in./µm
0.0013 hole uses the same specifications as the 0.0015 hole except for the hole dimension							
1505	.0015/38	.0005/13	.0030/76	.0010/25	.0006/15	.0100/254	.0007/18 to .0008/20
1507	.0015/38	.0007/18	.0030/76	.0010/25	.0006/15	.0100/254	
1510	.0015/38	.0010/25	.0030/76	.0010/25	.0006/15	.0100/254	
1513	.0015/38	.0013/33	.0030/76	.0010/25	.0006/15	.0100/254	
1515	.0015/38	.0015/38	.0030/76	.0010/25	.0006/15	.0100/254	
1520	.0015/38	.0020/51	.0030/76	.0010/25	.0006/15	.0110/279	
1505B	.0015/38	.0005/13	.0030/76	.0004/10	.0004/10	.0090/229	
1507B	.0015/38	.0007/18	.0030/76	.0004/10	.0004/10	.0090/229	
1510B	.0015/38	.0010/25	.0030/76	.0004/10	.0004/10	.0090/229	
1513B	.0015/38	.0013/33	.0030/76	.0004/10	.0004/10	.0100/254	
1515B	.0015/38	.0015/38	.0030/76	.0004/10	.0004/10	.0100/254	
1520B	.0015/38	.0020/51	.0030/76	.0004/10	.0004/10	.0100/254	
2005	.0020/51	.0005/13	.0040/102	.0010/25	.0006/15	.0100/254	.0010/25
2007	.0020/51	.0007/18	.0040/102	.0010/25	.0006/15	.0100/254	
2010	.0020/51	.0010/25	.0040/102	.0010/25	.0006/15	.0100/254	
2013	.0020/51	.0013/33	.0040/102	.0010/25	.0006/15	.0120/305	
2015	.0020/51	.0015/38	.0040/102	.0010/25	.0006/15	.0120/305	
2020	.0020/51	.0020/51	.0040/102	.0010/25	.0006/15	.0120/305	
2025	.0020/51	.0025/64	.0040/102	.0010/25	.0006/15	.0130/330	
2005B	.0020/51	.0005/13	.0040/102	.0004/10	.0004/10	.0100/254	
2007B	.0020/51	.0007/18	.0040/102	.0004/10	.0004/10	.0100/254	
2010B	.0020/51	.0010/25	.0040/102	.0004/10	.0004/10	.0100/254	
2013B	.0020/51	.0013/33	.0040/102	.0004/10	.0004/10	.0120/305	
2015B	.0020/51	.0015/38	.0040/102	.0004/10	.0004/10	.0120/305	
2020B	.0020/51	.0020/51	.0040/102	.0004/10	.0004/10	.0120/305	

Other part numbers are available

Dimensions in inches unless otherwise specified



**Features:**

Flat face, small geometry, vertical back grind for tight access small pad bonding applications.

**Specify:**

Series/Wire Feed Angle - Hole Size/Bond Length - Length - Options

**Example:**

2M45-2020-S

2M45-1510-3/4-TiC

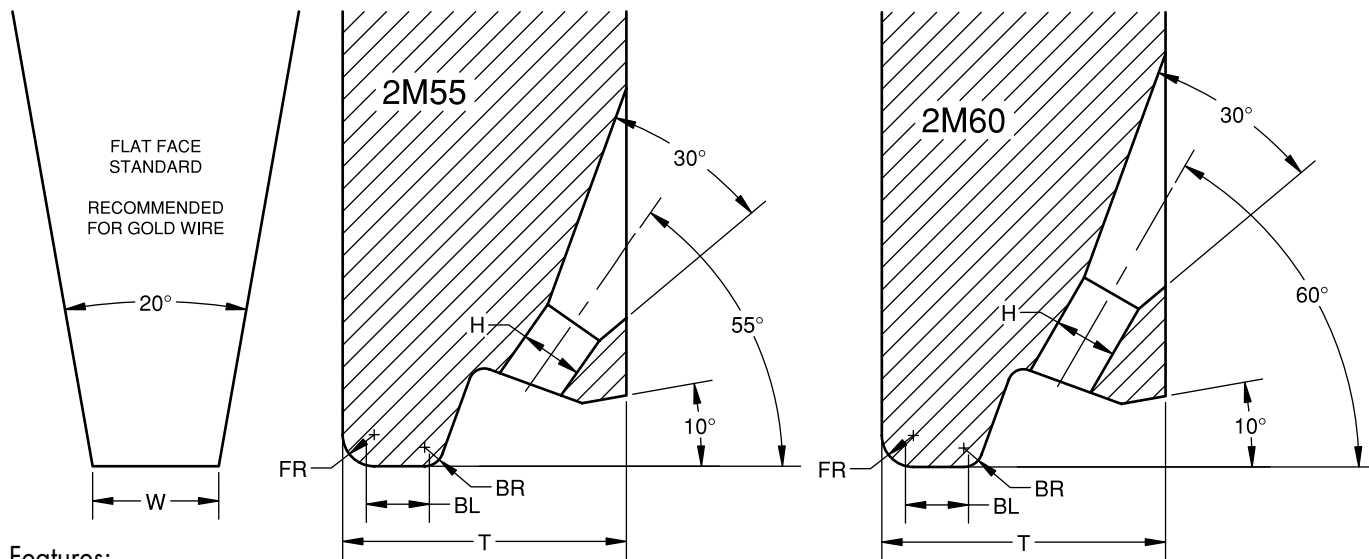
**Material:**

Tungsten Carbide Standard  
 Titanium Carbide Optional  
 (Specify "TiC" in part no.)  
 Cermet Tip Optional  
 (Specify "BK CER" in part no.)

DASH NUMBER	H in./ $\mu$ m $\pm$ .0002/5	BL in./ $\mu$ m $\pm$ .0002/5	W in./ $\mu$ m $\pm$ .0002/5	FR in./ $\mu$ m $\pm$ .0002/5	BR in./ $\mu$ m $\pm$ .0002/5	T 45° in./ $\mu$ m $\pm$ .0005/13	SUGGESTED WIRE DIAMETER in./ $\mu$ m
0.0013 hole uses the same specifications as the 0.0015 hole except for the hole dimension							
1505	.0015/38	.0005/13	.0030/76	.0010/25	.0006/15	.0080/203	.0007/18 to .0008/20
1507	.0015/38	.0007/18	.0030/76	.0010/25	.0006/15	.0080/203	
1510	.0015/38	.0010/25	.0030/76	.0010/25	.0006/15	.0080/203	
1513	.0015/38	.0013/33	.0030/76	.0010/25	.0006/15	.0080/203	
1515	.0015/38	.0015/38	.0030/76	.0010/25	.0006/15	.0080/203	
1520	.0015/38	.0020/51	.0030/76	.0010/25	.0006/15	.0080/203	
1505B	.0015/38	.0005/13	.0030/76	.0004/10	.0004/10	.0080/203	
1507B	.0015/38	.0007/18	.0030/76	.0004/10	.0004/10	.0080/203	
1510B	.0015/38	.0010/25	.0030/76	.0004/10	.0004/10	.0080/203	
1513B	.0015/38	.0013/33	.0030/76	.0004/10	.0004/10	.0080/203	
1515B	.0015/38	.0015/38	.0030/76	.0004/10	.0004/10	.0080/203	
1520B	.0015/38	.0020/51	.0030/76	.0004/10	.0004/10	.0080/203	
2005	.0020/51	.0005/13	.0040/102	.0010/25	.0006/15	.0080/203	.0010/25
2007	.0020/51	.0007/18	.0040/102	.0010/25	.0006/15	.0080/203	
2010	.0020/51	.0010/25	.0040/102	.0010/25	.0006/15	.0090/229	
2013	.0020/51	.0013/33	.0040/102	.0010/25	.0006/15	.0090/229	
2015	.0020/51	.0015/38	.0040/102	.0010/25	.0006/15	.0090/229	
2020	.0020/51	.0020/51	.0040/102	.0010/25	.0006/15	.0100/254	
2005B	.0020/51	.0005/13	.0040/102	.0004/10	.0004/10	.0080/203	
2007B	.0020/51	.0007/18	.0040/102	.0004/10	.0004/10	.0080/203	
2010B	.0020/51	.0010/25	.0040/102	.0004/10	.0004/10	.0080/203	
2013B	.0020/51	.0013/33	.0040/102	.0004/10	.0004/10	.0080/203	
2015B	.0020/51	.0015/38	.0040/102	.0004/10	.0004/10	.0090/229	
2020B	.0020/51	.0020/51	.0040/102	.0004/10	.0004/10	.0090/229	

Other part numbers are available

Dimensions in inches unless otherwise specified



**Features:**

Flat face, small geometry, vertical back grind for tight access small pad bonding applications.

**Specify:**

Series/Wire Feed Angle - Hole Size/Bond Length - Length - Options

**Example:**

2M55-2020-S

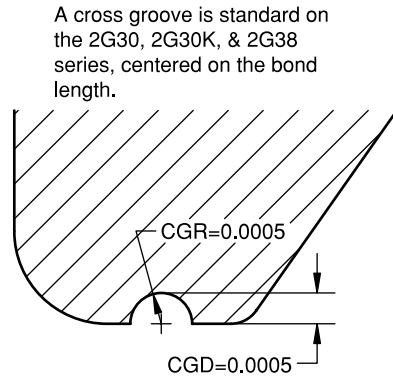
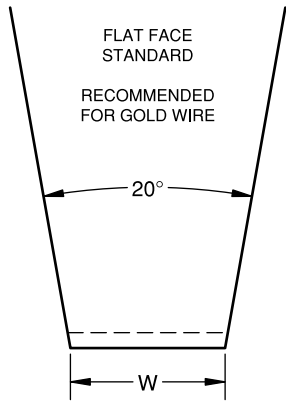
2M60-1510-3/4-TiC

**Material:**

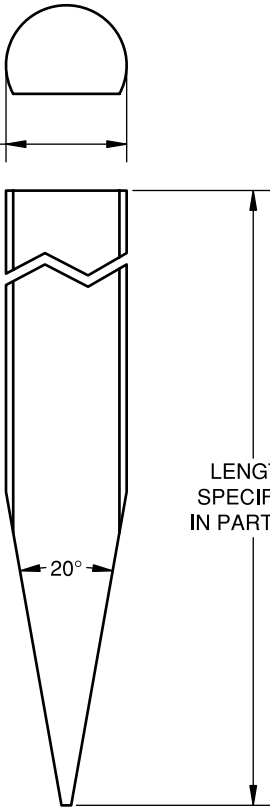
Tungsten Carbide Standard  
 Titanium Carbide Optional  
 (Specify "-TiC" in part no.)  
 Cermet Tip Optional  
 (Specify "-BK CER" in part no.)

DASH NUMBER	H in./ $\mu$ m $\pm.0002/5$	BL in./ $\mu$ m $\pm.0002/5$	W in./ $\mu$ m $\pm.0002/5$	FR in./ $\mu$ m $\pm.0002/5$	BR in./ $\mu$ m $\pm.0002/5$	T 55° & 60° in./ $\mu$ m $\pm.0005/13$	SUGGESTED WIRE DIAMETER in./ $\mu$ m
0.0013 hole uses the same specifications as the 0.0015 hole except for the hole dimension							.0007/18 to .0008/20
1505	.0015/38	.0005/13	.0030/76	.0010/25	.0006/15	.0080/203	
1507	.0015/38	.0007/18	.0030/76	.0010/25	.0006/15	.0080/203	
1510	.0015/38	.0010/25	.0030/76	.0010/25	.0006/15	.0080/203	
1513	.0015/38	.0013/33	.0030/76	.0010/25	.0006/15	.0080/203	
1515	.0015/38	.0015/38	.0030/76	.0010/25	.0006/15	.0080/203	
1520	.0015/38	.0020/51	.0030/76	.0010/25	.0006/15	.0080/203	
1505B	.0015/38	.0005/13	.0030/76	.0004/10	.0004/10	.0080/203	
1507B	.0015/38	.0007/18	.0030/76	.0004/10	.0004/10	.0080/203	
1510B	.0015/38	.0010/25	.0030/76	.0004/10	.0004/10	.0080/203	
1513B	.0015/38	.0013/33	.0030/76	.0004/10	.0004/10	.0080/203	
1515B	.0015/38	.0015/38	.0030/76	.0004/10	.0004/10	.0080/203	
1520B	.0015/38	.0020/51	.0030/76	.0004/10	.0004/10	.0080/203	
2005	.0020/51	.0005/13	.0040/102	.0010/25	.0006/15	.0080/203	.0010/25
2007	.0020/51	.0007/18	.0040/102	.0010/25	.0006/15	.0080/203	
2010	.0020/51	.0010/25	.0040/102	.0010/25	.0006/15	.0080/203	
2013	.0020/51	.0013/33	.0040/102	.0010/25	.0006/15	.0090/229	
2015	.0020/51	.0015/38	.0040/102	.0010/25	.0006/15	.0090/229	
2020	.0020/51	.0020/51	.0040/102	.0010/25	.0006/15	.0090/229	
2005B	.0020/51	.0005/13	.0040/102	.0004/10	.0004/10	.0080/203	
2007B	.0020/51	.0007/18	.0040/102	.0004/10	.0004/10	.0080/203	
2010B	.0020/51	.0010/25	.0040/102	.0004/10	.0004/10	.0080/203	
2013B	.0020/51	.0013/33	.0040/102	.0004/10	.0004/10	.0080/203	
2015B	.0020/51	.0015/38	.0040/102	.0004/10	.0004/10	.0080/203	
2020B	.0020/51	.0020/51	.0040/102	.0004/10	.0004/10	.0080/203	

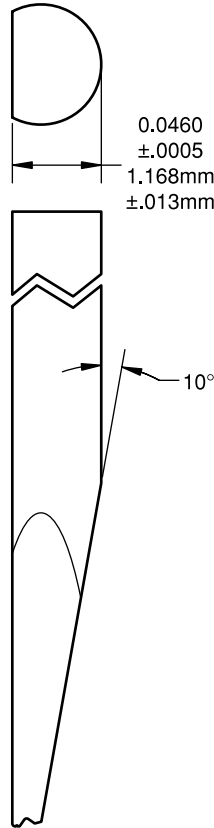
Other part numbers are available. Dimensions in inches unless otherwise specified



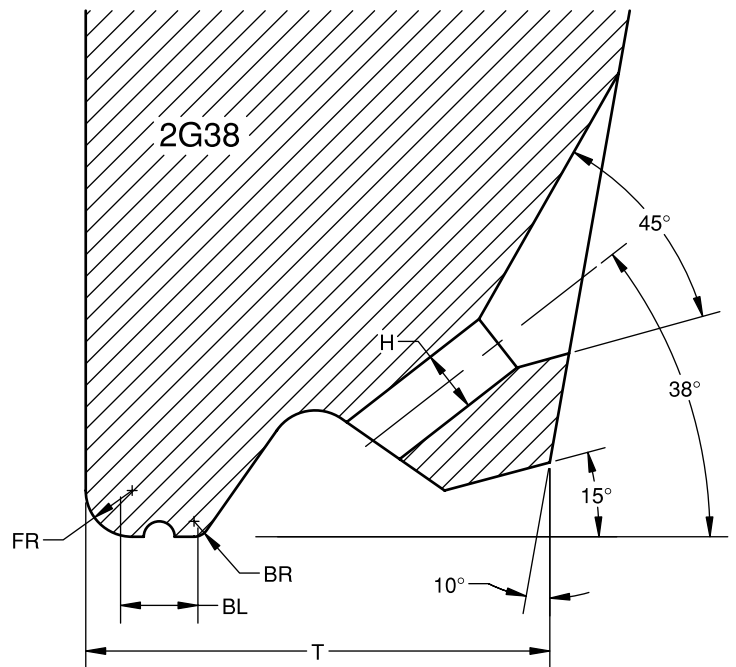
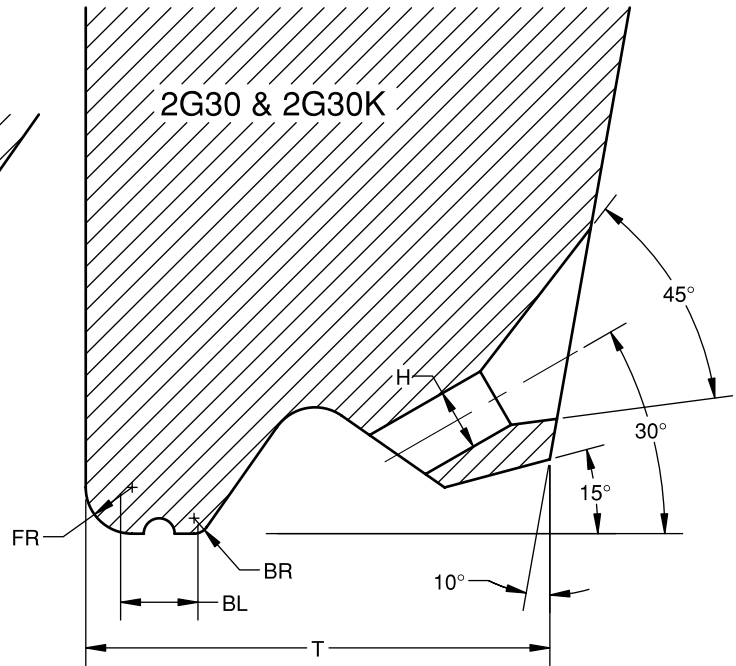
Ø0.0624  
 +.0001  
 -.0002  
 Ø1.585mm  
 +.003mm  
 -.005mm



LENGTH  
 SPECIFIED  
 IN PART NO.



0.0460  
 ±.0005  
 1.168mm  
 ±.013mm



**Specify:**

Series/Wire Feed Angle - Hole Size/Bond Length - Length - Options

**Example:**

2G30-2020-S

2G30K-1510-3/4-TiC

**Material:**

Tungsten Carbide Standard

Titanium Carbide Optional

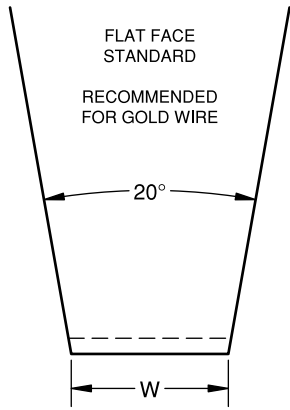
(Specify "TiC" in part no.)

Cermet Tip Optional

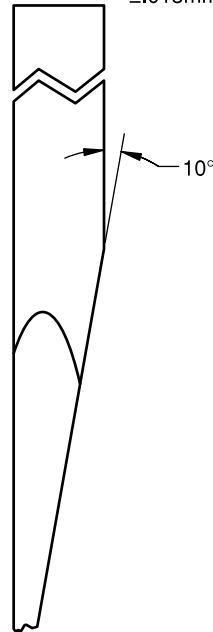
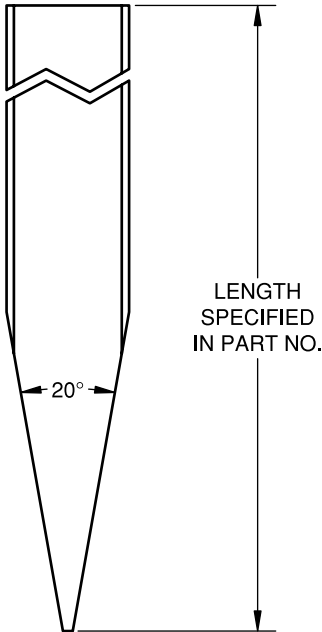
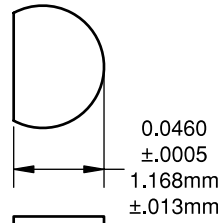
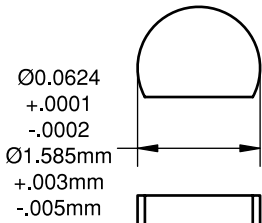
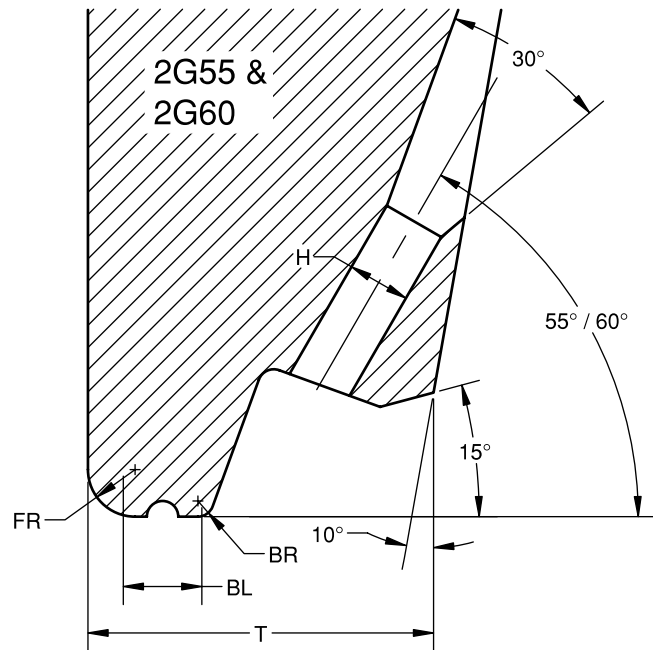
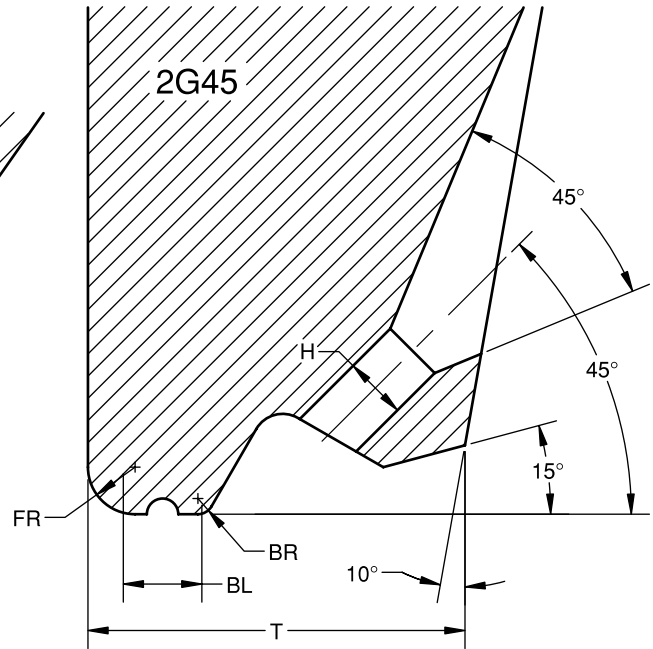
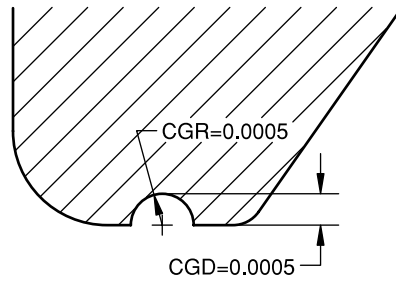
(Specify "BK CER" in part no.)

<b>SERIES: 2G30 &amp; 2G38</b>							
<b>DASH NUMBER</b>	<b>H in./<math>\mu</math>m <math>\pm</math>.0002/5</b>	<b>BL in./<math>\mu</math>m <math>\pm</math>.0002/5</b>	<b>W in./<math>\mu</math>m <math>\pm</math>.0002/5</b>	<b>FR in./<math>\mu</math>m <math>\pm</math>.0002/5</b>	<b>BR in./<math>\mu</math>m <math>\pm</math>.0002/5</b>	<b>T 30° &amp; 38° in./<math>\mu</math>m <math>\pm</math>.0005/13</b>	<b>SUGGESTED WIRE DIAMETER in./<math>\mu</math>m</b>
1515	.0015/38	.0015/38	.0040/102	.0010/25	.0005/13	.0110/279	.0007/18 to .0008/20
1815	.0018/46	.0015/38	.0050/127	.0015/38	.0005/13	.0140/356	.0008/20 to .0010/25
1820	.0018/46	.0020/51	.0050/127	.0015/38	.0005/13	.0150/381	
1825	.0018/46	.0025/64	.0050/127	.0015/38	.0005/13	.0150/381	
1830	.0018/46	.0030/76	.0050/127	.0015/38	.0005/13	.0160/406	
2015	.0020/51	.0015/38	.0050/127	.0015/38	.0005/13	.0140/356	.0010/25
2020	.0020/51	.0020/51	.0050/127	.0015/38	.0005/13	.0150/381	
2025	.0020/51	.0025/64	.0050/127	.0015/38	.0005/13	.0150/381	
2030	.0020/51	.0030/76	.0050/127	.0015/38	.0005/13	.0160/406	
2040	.0020/51	.0040/102	.0050/127	.0015/38	.0005/13	.0170/432	.0010/25 to .0013/33
2520	.0025/64	.0020/51	.0050/127	.0015/38	.0005/13	.0170/432	
2525	.0025/64	.0025/64	.0050/127	.0015/38	.0005/13	.0170/432	
2530	.0025/64	.0030/76	.0050/127	.0015/38	.0005/13	.0180/457	
2535	.0025/64	.0035/89	.0050/127	.0015/38	.0005/13	.0180/457	.0015/38 to .0018/46
2540	.0025/64	.0040/102	.0050/127	.0015/38	.0005/13	.0190/483	
3020	.0030/76	.0020/51	.0050/127	.0015/38	.0005/13	.0180/457	
3025	.0030/76	.0025/64	.0050/127	.0015/38	.0005/13	.0190/483	
3030	.0030/76	.0030/76	.0050/127	.0015/38	.0005/13	.0190/483	.0020/51
3035	.0030/76	.0035/89	.0050/127	.0015/38	.0005/13	.0200/508	
3040	.0030/76	.0040/102	.0050/127	.0015/38	.0005/13	.0200/508	
3530	.0035/89	.0030/76	.0060/152	.0015/38	.0005/13	.0220/559	
3535	.0035/89	.0035/89	.0060/152	.0015/38	.0005/13	.0230/584	.0020/51
3540	.0035/89	.0040/102	.0060/152	.0015/38	.0005/13	.0230/584	
3545	.0035/89	.0045/114	.0060/152	.0015/38	.0005/13	.0240/610	
3550	.0035/89	.0050/127	.0060/152	.0015/38	.0005/13	.0240/610	
<b>SERIES: 2G30K</b>							
<b>DASH NUMBER</b>	<b>H in./<math>\mu</math>m <math>\pm</math>.0002/5</b>	<b>BL in./<math>\mu</math>m <math>\pm</math>.0002/5</b>	<b>W in./<math>\mu</math>m <math>\pm</math>.0002/5</b>	<b>FR in./<math>\mu</math>m <math>\pm</math>.0001/2.5</b>	<b>BR in./<math>\mu</math>m <math>\pm</math>.0001/2.5</b>	<b>T 30° in./<math>\mu</math>m <math>\pm</math>.0005/13</b>	<b>SUGGESTED WIRE DIAMETER in./<math>\mu</math>m</b>
2015	.0020/51	.0015/38	.0040/102	.0003/8	.0002/5	.0150/381	.0010/25
2020	.0020/51	.0020/51	.0040/102	.0003/8	.0002/5	.0150/381	
2520	.0025/64	.0020/51	.0050/127	.0005/13	.0003/8	.0150/381	.0010/25 to .0013/33
2525	.0025/64	.0025/64	.0050/127	.0005/13	.0003/8	.0150/381	
2525B	.0025/64	.0025/64	.0040/102	.0005/13	.0003/8	.0150/381	
2530	.0025/64	.0030/76	.0050/127	.0005/13	.0003/8	.0150/381	
2540	.0025/64	.0040/102	.0050/127	.0005/13	.0003/8	.0180/457	
2560	.0025/64	.0060/152	.0050/127	.0005/13	.0003/8	.0200/508	
<b>DASH NUMBER</b>	<b>H in./<math>\mu</math>m <math>\pm</math>.0002/5</b>	<b>BL in./<math>\mu</math>m <math>\pm</math>.0002/5</b>	<b>W in./<math>\mu</math>m <math>\pm</math>.0002/5</b>	<b>FR in./<math>\mu</math>m <math>\pm</math>.0002/5</b>	<b>BR in./<math>\mu</math>m <math>\pm</math>.0001/2.5</b>	<b>T 30° in./<math>\mu</math>m <math>\pm</math>.0005/13</b>	<b>SUGGESTED WIRE DIAMETER in./<math>\mu</math>m</b>
3035	.0030/76	.0035/89	.0050/127	.0008/20	.0005/13	.0200/508	.0015/38 to .0018/46
4530	.0045/114	.0030/76	.0100/254	.0010/25	.0006/15	.0260/660	.0030/76
4535	.0045/114	.0035/89	.0100/254	.0010/25	.0006/15	.0260/660	

Other part numbers are available  
 Dimensions in inches unless otherwise specified



A cross groove is standard on the 2G30, 2G30K, & 2G38 series, centered on the bond length.



**Specify:**

Series/Wire Feed Angle - Hole Size/Bond Length - Length - Options

**Example:**

2G45-2020-S

2G60-1510-3/4-TiC

**Material:**

Tungsten Carbide Standard

Titanium Carbide Optional

(Specify "TiC" in part no.)

Cermet Tip Optional

(Specify "BK CER" in part no.)

<b>SERIES: 2G45</b>							
DASH NUMBER	H in./ $\mu$ m $\pm$ .0002/5	BL in./ $\mu$ m $\pm$ .0002/5	W in./ $\mu$ m $\pm$ .0002/5	FR in./ $\mu$ m $\pm$ .0002/5	BR in./ $\mu$ m $\pm$ .0002/5	T 45° in./ $\mu$ m $\pm$ .0005/13	SUGGESTED WIRE DIAMETER in./ $\mu$ m
1820	.0018/46	.0020/51	.0050/127	.0015/38	.0005/13	.0120/305	.0008/20 to .0010/25
1825	.0018/46	.0025/64	.0050/127	.0015/38	.0005/13	.0120/305	
1830	.0018/46	.0030/76	.0050/127	.0015/38	.0005/13	.0130/330	
2020	.0020/51	.0020/51	.0050/127	.0015/38	.0005/13	.0120/305	.0010/25
2025	.0020/51	.0025/64	.0050/127	.0015/38	.0005/13	.0120/305	
2030	.0020/51	.0030/76	.0050/127	.0015/38	.0005/13	.0130/330	
2520	.0025/64	.0020/51	.0050/127	.0015/38	.0005/13	.0140/356	.0010/25 to .0013/33
2525	.0025/64	.0025/64	.0050/127	.0015/38	.0005/13	.0140/356	
2530	.0025/64	.0030/76	.0050/127	.0015/38	.0005/13	.0150/381	
2535	.0025/64	.0035/89	.0050/127	.0015/38	.0005/13	.0150/381	
2540	.0025/64	.0040/102	.0050/127	.0015/38	.0005/13	.0150/381	
3020	.0030/76	.0020/51	.0050/127	.0015/38	.0005/13	.0150/381	
3025	.0030/76	.0025/64	.0050/127	.0015/38	.0005/13	.0160/406	.0015/38 to .0018/46
3030	.0030/76	.0030/76	.0050/127	.0015/38	.0005/13	.0160/406	
3035	.0030/76	.0035/89	.0050/127	.0015/38	.0005/13	.0170/432	
3040	.0030/76	.0040/102	.0050/127	.0015/38	.0005/13	.0170/432	
3525	.0035/89	.0025/64	.0050/127	.0015/38	.0005/13	.0180/457	.0020/51
3530	.0035/89	.0030/76	.0060/152	.0015/38	.0005/13	.0180/457	
3535	.0035/89	.0035/89	.0060/152	.0015/38	.0005/13	.0190/483	
3540	.0035/89	.0040/102	.0060/152	.0015/38	.0005/13	.0190/483	
3545	.0035/89	.0045/114	.0060/152	.0015/38	.0005/13	.0200/508	
3550	.0035/89	.0050/127	.0060/152	.0015/38	.0005/13	.0210/533	
4530	.0045/114	.0030/76	.0070/178	.0020/51	.0010/25	.0210/533	.0030/76

<b>SERIES: 2G55 &amp; 2G60</b>							
DASH NUMBER	H in./ $\mu$ m $\pm$ .0002/5	BL in./ $\mu$ m $\pm$ .0002/5	W in./ $\mu$ m $\pm$ .0002/5	FR in./ $\mu$ m $\pm$ .0002/5	BR in./ $\mu$ m $\pm$ .0002/5	T 55° & 60° in./ $\mu$ m $\pm$ .0005/13	SUGGESTED WIRE DIAMETER in./ $\mu$ m
1815	.0018/46	.0015/38	.0065/165	.0015/38	.0005/13	.0100/254	.0008/20 to .0010/25
1820	.0018/46	.0020/51	.0065/165	.0015/38	.0005/13	.0100/254	
1825	.0018/46	.0025/64	.0065/165	.0015/38	.0005/13	.0110/279	
1830	.0018/46	.0030/76	.0065/165	.0015/38	.0005/13	.0110/279	
1835	.0018/46	.0035/89	.0065/165	.0015/38	.0005/13	.0120/305	.0010/25
2015	.0020/51	.0015/38	.0065/165	.0015/38	.0005/13	.0100/254	
2020	.0020/51	.0020/51	.0065/165	.0015/38	.0005/13	.0100/254	
2025	.0020/51	.0025/64	.0065/165	.0015/38	.0005/13	.0110/279	
2030	.0020/51	.0030/76	.0065/165	.0015/38	.0005/13	.0110/279	
2035	.0020/51	.0035/89	.0065/165	.0015/38	.0005/13	.0120/305	
2520	.0025/64	.0020/51	.0065/165	.0015/38	.0005/13	.0110/279	.0010/25 to .0013/33
2525	.0025/64	.0025/64	.0065/165	.0015/38	.0005/13	.0120/305	
2530	.0025/64	.0030/76	.0065/165	.0015/38	.0005/13	.0120/305	
2535	.0025/64	.0035/89	.0065/165	.0015/38	.0005/13	.0130/330	
2540	.0025/64	.0040/102	.0065/165	.0015/38	.0005/13	.0130/330	
3020	.0030/76	.0020/51	.0065/165	.0015/38	.0005/13	.0120/305	
3025	.0030/76	.0025/64	.0065/165	.0015/38	.0005/13	.0130/330	.0015/38 to .0018/46
3030	.0030/76	.0030/76	.0065/165	.0015/38	.0005/13	.0130/330	
3035	.0030/76	.0035/89	.0065/165	.0015/38	.0005/13	.0140/356	
3040	.0030/76	.0040/102	.0065/165	.0015/38	.0005/13	.0140/356	
3530	.0035/89	.0030/76	.0065/165	.0015/38	.0005/13	.0150/381	.0020/51
3535	.0035/89	.0035/89	.0065/165	.0015/38	.0005/13	.0160/406	
3540	.0035/89	.0040/102	.0065/165	.0015/38	.0005/13	.0160/406	
3545	.0035/89	.0045/114	.0065/165	.0015/38	.0005/13	.0170/432	
3550	.0035/89	.0050/127	.0065/165	.0015/38	.0005/13	.0170/432	

Other part numbers are available. *Dimensions in inches unless otherwise specified*