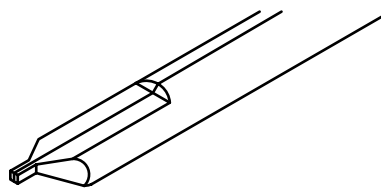


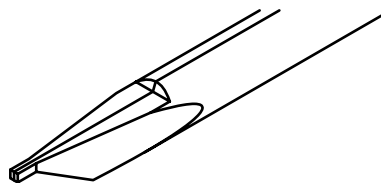
PGE-DASH NUMBER-60D

Used in Unitek Welders as an equivalent to the UTM-C series



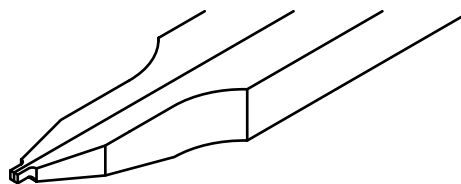
PGE-DASH NUMBER-15D

Used in Unitek Welders as an equivalent to the UTM-L series



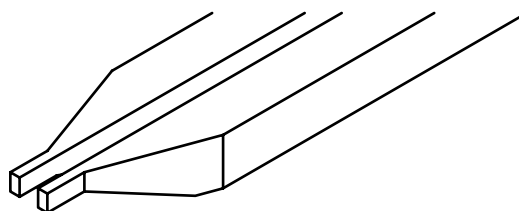
PGE-DASH NUMBER-DUS

Used in Hughes Welders as an equivalent to the DUS series



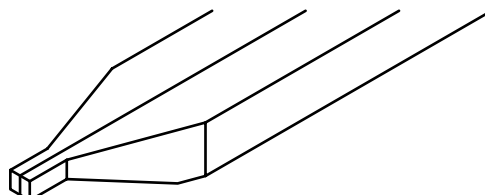
PGE-DASH NUMBER-ESQ

Used in Hughes Welders as an equivalent to the ESQ series



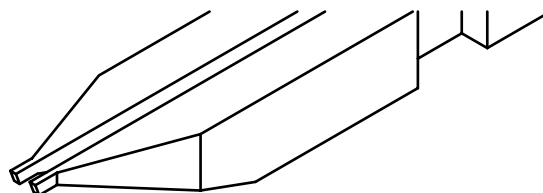
PGE-DASH NUMBER-ESQA

Used in Hughes Welders as a fixed-gap optioned equivalent to the ESQ series



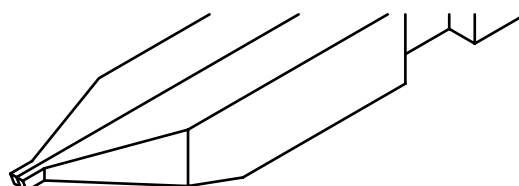
PGE-DASH NUMBER-ESQ-20D

Used in Hughes Welders as an equivalent to the angled ESQ series



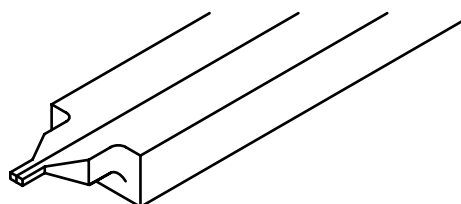
PGE-DASH NUMBER-ESQA-20D

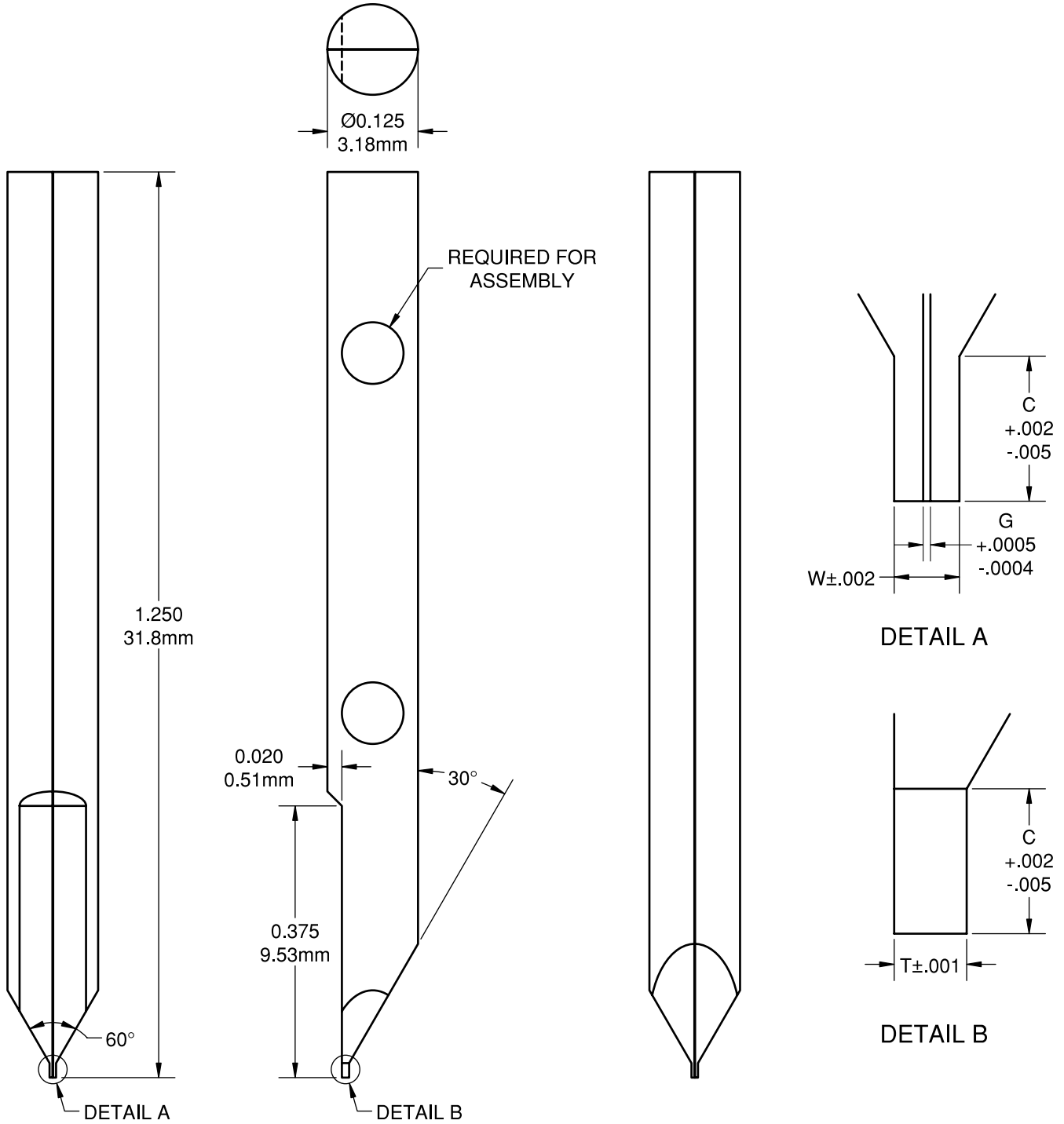
Used in Hughes Welders as a fixed-gap optioned equivalent to the angled ESQ series



PGE-DASH NUMBER-DUO

Used in Hughes Welders as an equivalent to the DUO series



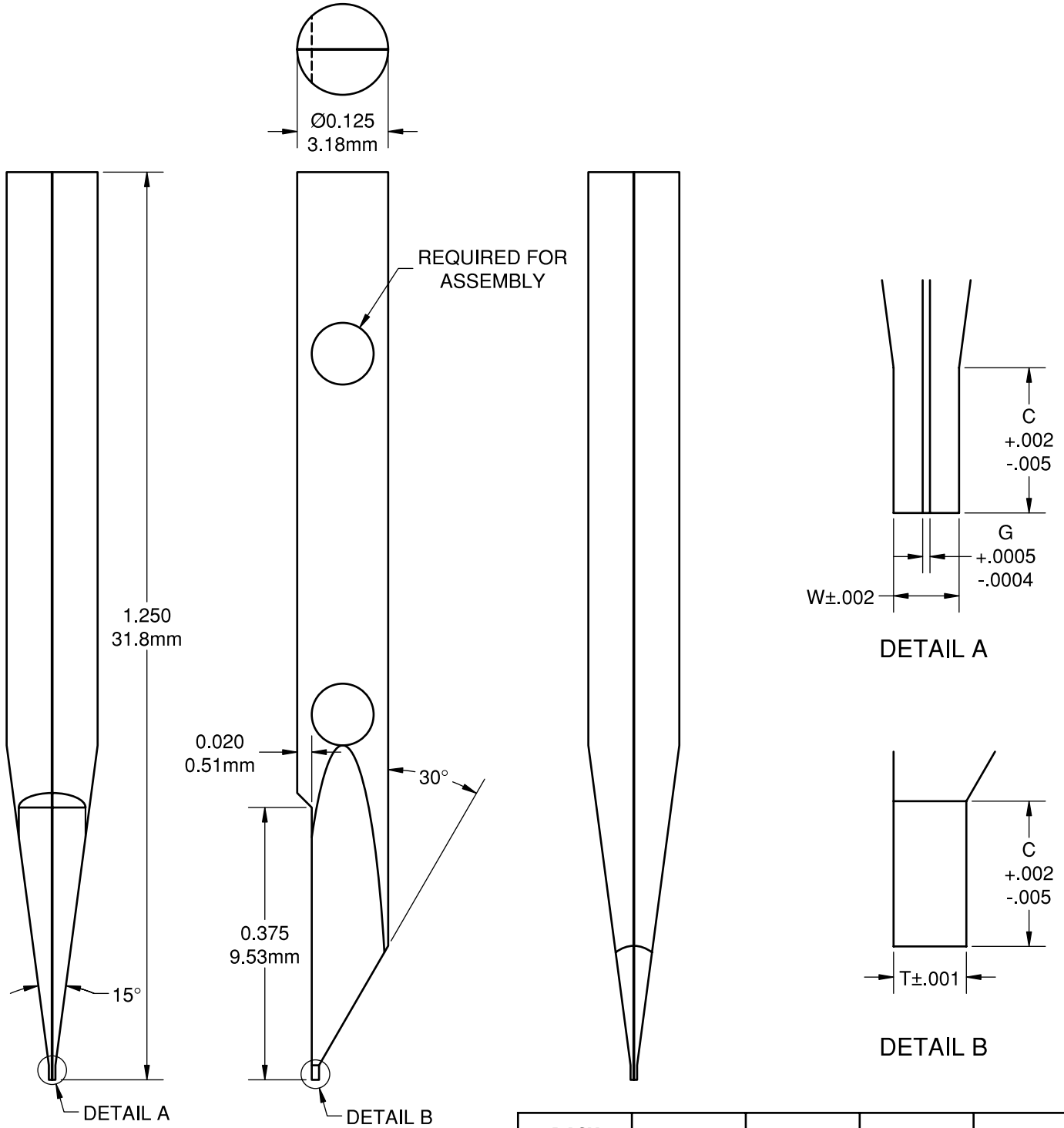


DASH NUMBER	W	T	G	C
-09101	.009	.010	.0010	.020
-10051	.010	.005	.0010	.015
-10052	.010	.005	.0020	.015
-10102	.010	.010	.0020	.020
-15152	.015	.015	.0020	.050
-18202	.018	.020	.0020	.050
-20204	.020	.020	.0040	.050
-20307	.020	.030	.0070	.050

Dimensions in inches unless otherwise specified

Material:
 Molybdenum

Specify: Parallel Gap Electrode - Dash Number - Style
 Example:
 PGE-09101-60D



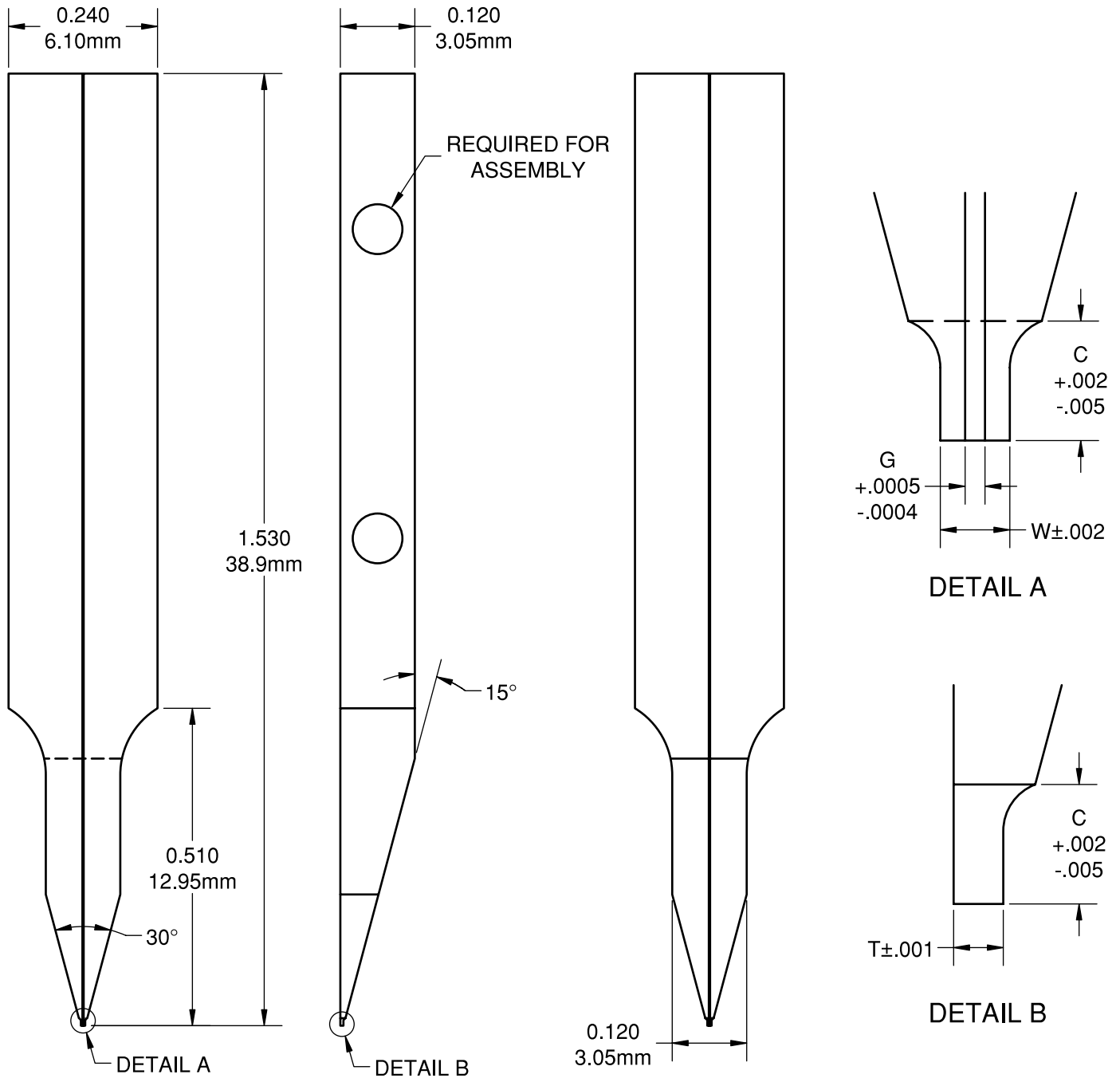
Material:
 Molybdenum

Specify: Parallel Gap Electrode - Dash Number - Style

Example:
 PGE-09101-15D

DASH NUMBER	W	T	G	C
-09101	.009	.010	.0010	.020
-10051	.010	.005	.0010	.015
-10052	.010	.005	.0020	.015
-10102	.010	.010	.0020	.020
-15152	.015	.015	.0020	.050
-18202	.018	.020	.0020	.050
-20204	.020	.020	.0040	.050
-20307	.020	.030	.0070	.050

Dimensions in inches unless otherwise specified

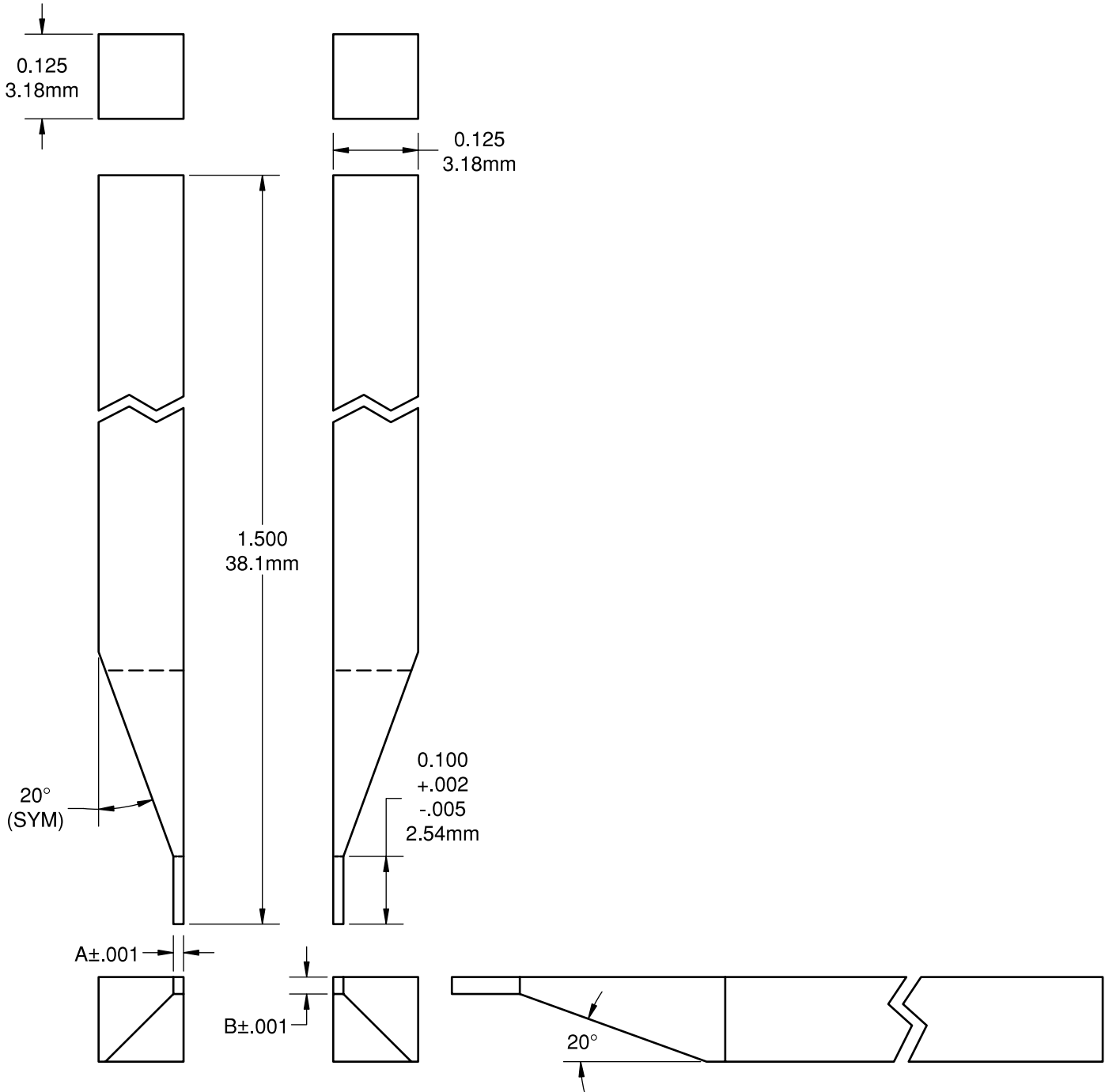


DASH NUMBER	W	T	G	C
-07052	.007	.005	.0020	.012
-10102	.010	.010	.0020	.020
-15203	.015	.020	.0030	.040
-20203	.020	.020	.0030	.040

Dimensions in inches unless otherwise specified

Material:
 Molybdenum

Specify: Parallel Gap Electrode - Dash Number - Style
 Example:
 PGE-07052-DUS



Material:

Molybdenum Standard
 RWMA Class 2 Optional (Specify "-CU2" in part number)
 Tungsten Optional (Specify "-W" in part number)

Note: Part is a mirror image pair as shown

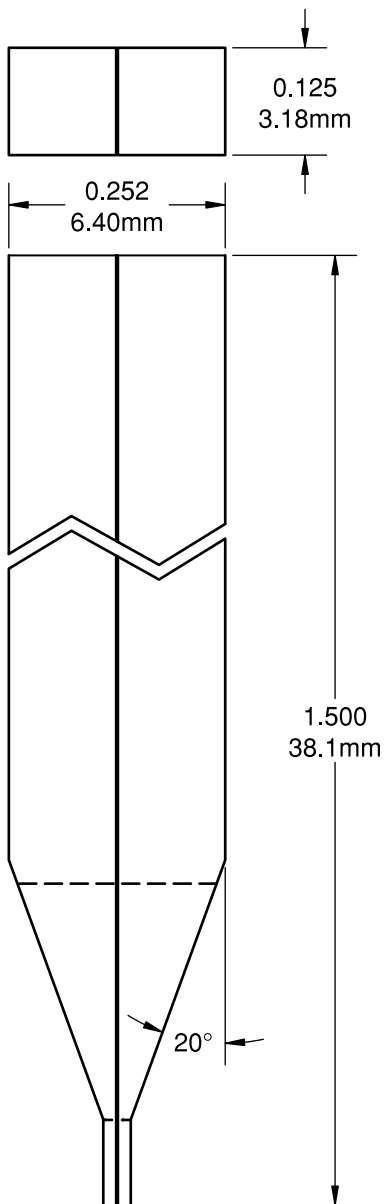
Specify: Parallel Gap Electrode - Dash Number - Style - Optional Material

Example:

PGE-1015-ESQ
 PGE-2545-ESQ-W

DASH NUMBER	A	B
-0815	.008	.015
-1015	.010	.015
-1525	.015	.025
-1825	.018	.025
-2323	.023	.023
-2545	.025	.045

Dimensions in inches unless otherwise specified



Features:

The PGE-Dash Number-ESQA series is a fixed-gap assembled version of the conventional two piece design. The gap may be specified at 0.002 inch or 0.004 inch. Gaiser Tool Company's exclusive long life insulator is used to separate the electrodes.

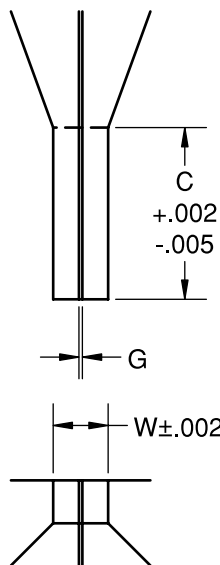
Material:

Molybdenum

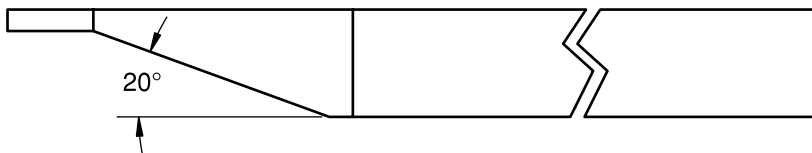
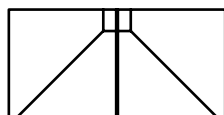
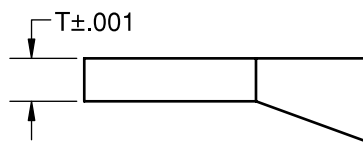
Specify: Parallel Gap Electrode - Dash Number - Style

Example:

PGE-32252-ESQA



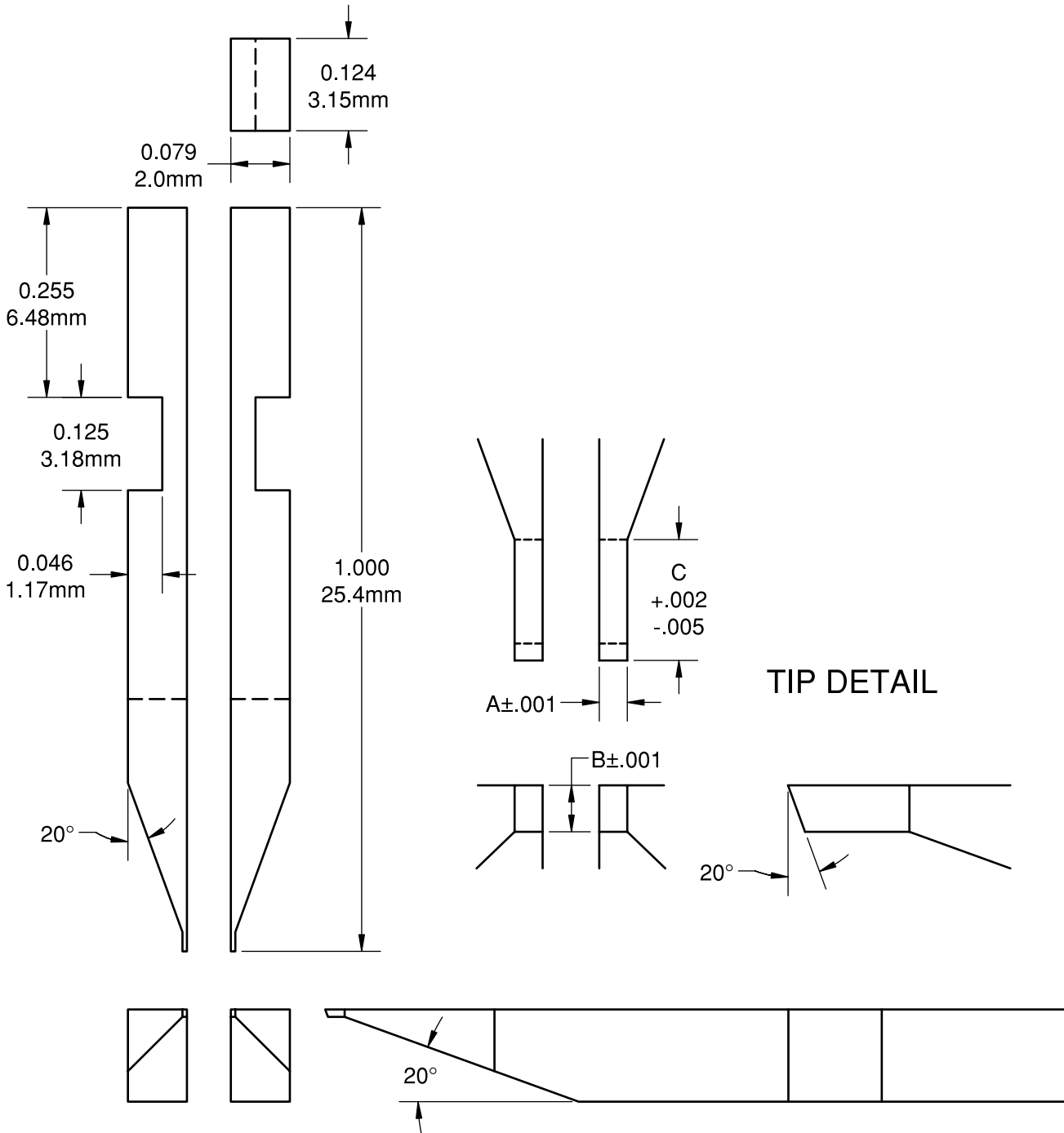
TIP DETAIL



DASH NUMBER	W	T	G	C
-18152	.018	.015	.002	.100
-22152	.022	.015	.002	.100
-32252	.032	.025	.002	.100
-38252	.038	.025	.002	.100
-48252	.048	.025	.002	.100
-52452	.052	.045	.002	.100

DASH NUMBER	W	T	G	C
-20154	.020	.015	.004	.100
-24154	.024	.015	.004	.100
-34254	.034	.025	.004	.100
-40254	.040	.025	.004	.100
-50254	.050	.025	.004	.100
-54454	.054	.045	.004	.100

Dimensions in inches unless otherwise specified



Material:

- Molybdenum Standard
- RWMA Class 2 Optional (Specify "-CU2" in part number)
- Tungsten Optional (Specify "-W" in part number)

Note: Part is a mirror image pair as shown

Specify: Parallel Gap Electrode - Dash Number - Style - Optional Material

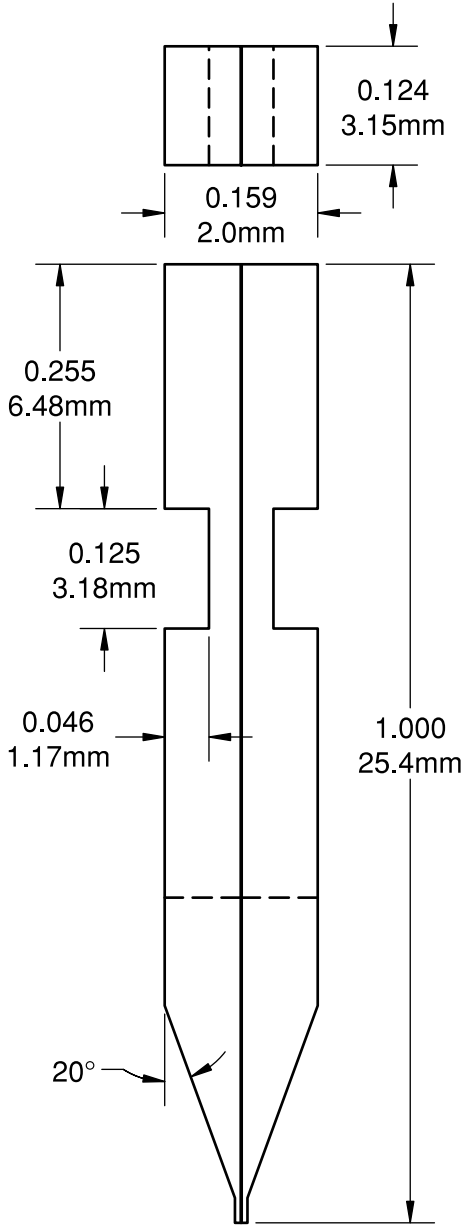
Example:

PGE-0610-ESQ-20D

PGE-1019-ESQ-20D-W

DASH NUMBER	A	B	C
-0205	.0025	.005	.017
-0408	.004	.008	.022
-0610	.006	.010	.026
-0815	.008	.015	.033
-1019	.010	.019	.039

Dimensions in inches unless otherwise specified



Features:

The PGE-Dash Number-ESQA-20D series is a fixed-gap assembled version of the conventional two piece design. The gap may be specified at 0.001 inch or 0.002 inch. Gaiser Tool Company's exclusive long life insulator is used to separate the electrodes.

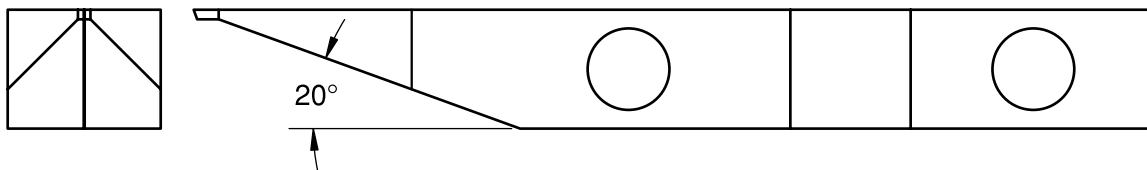
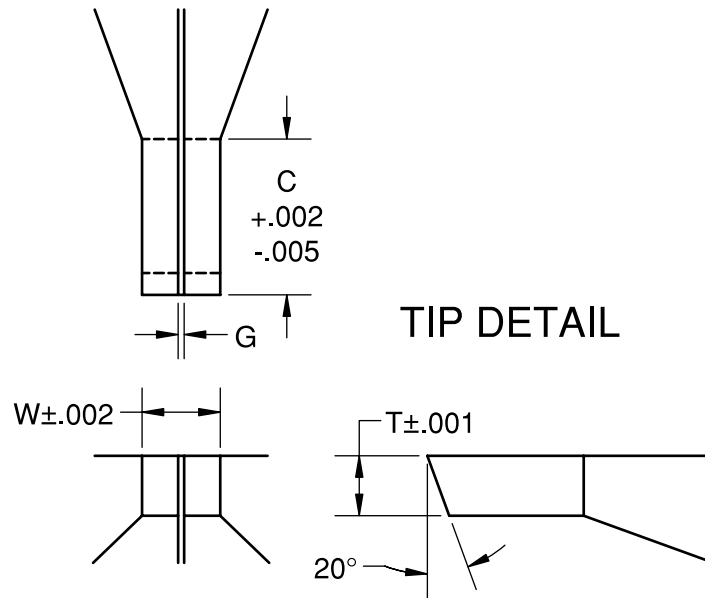
Material:

Molybdenum

Specify: Parallel Gap Electrode - Dash Number - Style

Example:

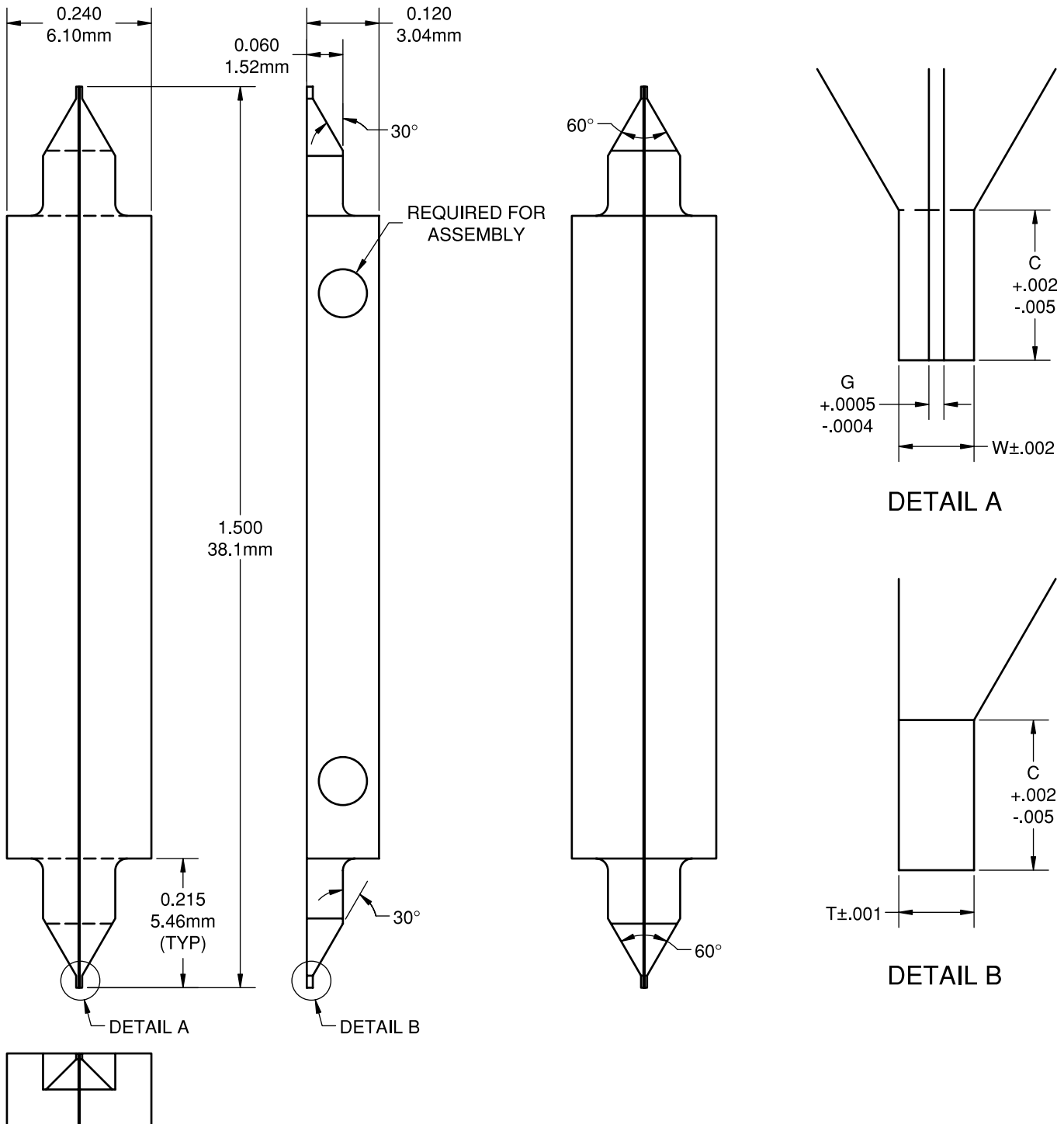
PGE-14102-ESQA-20D



DASH NUMBER	W	T	G	C
-06051	.006	.005	.001	.017
-09081	.009	.008	.001	.022
-13101	.013	.010	.001	.026
-17151	.017	.015	.001	.033
-21191	.021	.019	.001	.039

DASH NUMBER	W	T	G	C
-07052	.007	.005	.002	.017
-10082	.010	.008	.002	.022
-14102	.014	.010	.002	.026
-18152	.018	.015	.002	.033
-22192	.022	.019	.002	.039

Dimensions in inches unless otherwise specified



Material:
 Molybdenum

Specify: Parallel Gap Electrode - Dash Number - Style
Example:
 PGE-10102-DUO

DASH NUMBER	W	T	G	C
-07052	.007	.005	.0020	.012
-10102	.010	.010	.0020	.020
-15203	.015	.020	.0030	.040
-33153	.033	.015	.0030	.060

Dimensions in inches unless otherwise specified